

HANDLINE NOZZLES



GLOW BUMPER

HANDLINE NOZZLES

Glow Bumper

Charged from any light source — even firelight — the glow from Elkhart's luminescent phosphorous bumper is an additional safety feature as it allows fire personnel to quickly locate a downed handline in darkened conditions. The Glow Bumper has the same physical dimension as Elkhart's standard bumpers, but are made of a heavy-duty phosphorescent thermo-plastic elastomer (TPE) which glows brightly for hours.



Patent pending

BUMPER RETRO-FIT

Handline Nozzle Types	Glow Bumper Available	Retro-Fit Available
Select-O-Matic®	•	•
Chief™	•	•
Select-O-Stream®		
Phantom®		
Select-O-Flow®		
Mystery®		
Figure		1

ADDITIONAL INFORMATION

The Bumper Retro-fit tool has been designed to be installed using the tools you have available. It can be fitted manually with two wrenches or a vice in combination with a wrench; alternatively, an arbor press, or drill press can be utilized. All components necessary for installation are included, as shown by the darker shading in the cut-away view of Figure 1:

- Threaded rod
- Drive plate
- Expansion cone (1 large and 1 small)
- Tooth guard
- Push tube (1 large and 1 small)
- Hex nut (3)
- Thrust washer (2)
- Thrust bearing
- Instructions

Figure 1

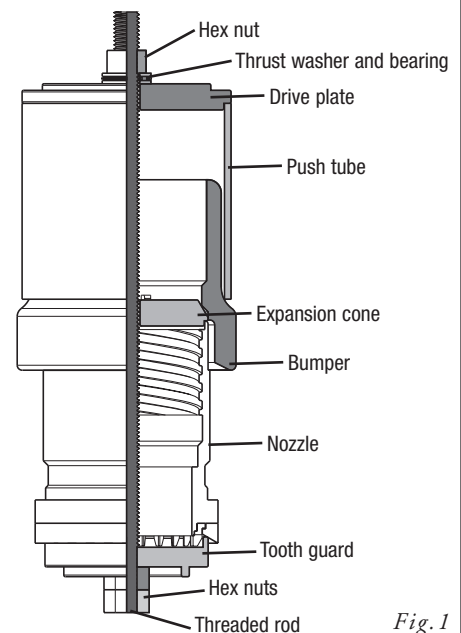


Fig. 1