

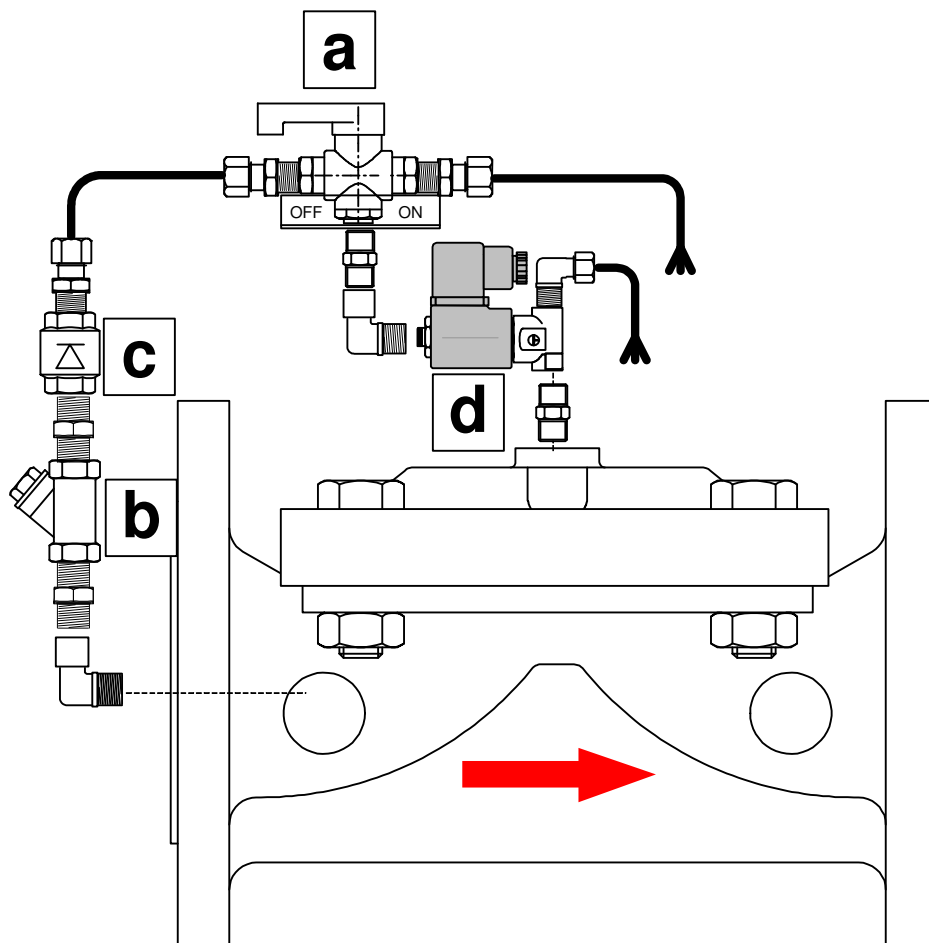


TECHNICAL DATA

DELUGE VALVE

77-x- MO/ EL

Hydraulic, Manually and Electrically actuated Monitor Control Valve Model 77-X-MO\EL(SST) (X= valve size)



PARTS LIST

- a. Manual activation valve
- b. Control Filter
- c. Check valve
- d. 3/2 Heavy-Duty N.O. solenoid valve



CONTROL VALVE TECHNICAL SPECIFICATIONS

CONTROL VALVE	1. Model	77-4-MO\EL(SST)	
	2. Type	Strait flow, weir type.	
	3. Description	A hydraulic, manually and electrically controlled valve. The valve will maintain a closed position and will open when the activation selector valve, assembled on its bonnet is turned to "on" position or when the solenoid valve is energized.	
	4. Sizes	See table next page	
	5. Kv \ Cv	See table next page	
	6. Length	See table next page	
	7. Weight	See table next page	
SERVICE CONDITIONS	8. Pressure	1.5 – 16 bar	
	9. Flow	See table next page	
	10. Temp.	0 – 80° C \ 32 - 176° C	
	11. Fluid type	Water	
PARTS & MATERIALS	12. Main valve	Body & Cover: Ductile Iron GGG-40	Diaphragm: Reinforced NR
		Spring: SST 302	Indicator: N/A
	13. Pilot	Model: -	
		Body & Cover:	Plug, Seat & Spring:
		Needle bolt:	Diaphragm:
	14. Accessories	Control Filter	Type: "Y" external
			Screen: SST
			Body & Housing: SST
		Cock valves	Ball: SST
			Body: SST
		Solenoid	Type:
	Rating:		24VAC
	Enclosure:		IP65
	Body:		SST
Orifice:	1.6mm		
Actuation:	Energized to open the valve		
NOTES	<ul style="list-style-type: none"> • SST tubes and fittings • Other voltage rating and explosion proof coils are optional • Valves larger than 6" \ 150mm will be fitted with accelerator relay valve 		

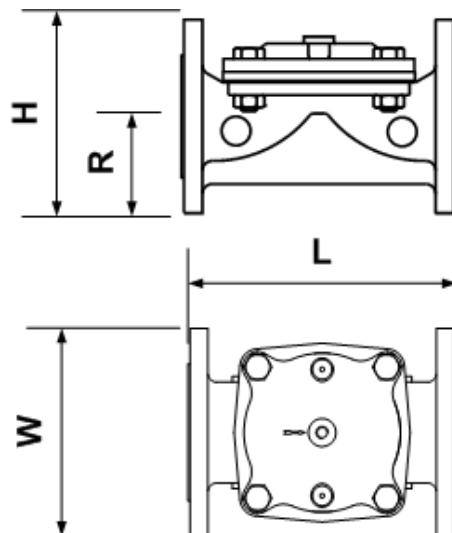
The service condition information contained within this document is based upon information received from the client or their representative for a specific project. The recommendations specified in this document are based on this information and do not represent any obligation on the part of *Dorot*.
The Recommendations herein are not to be constructed as recommendations for any other project. Complete recommendation must include a *Dorot* approved drawings.



Valve model 77 – Technical data

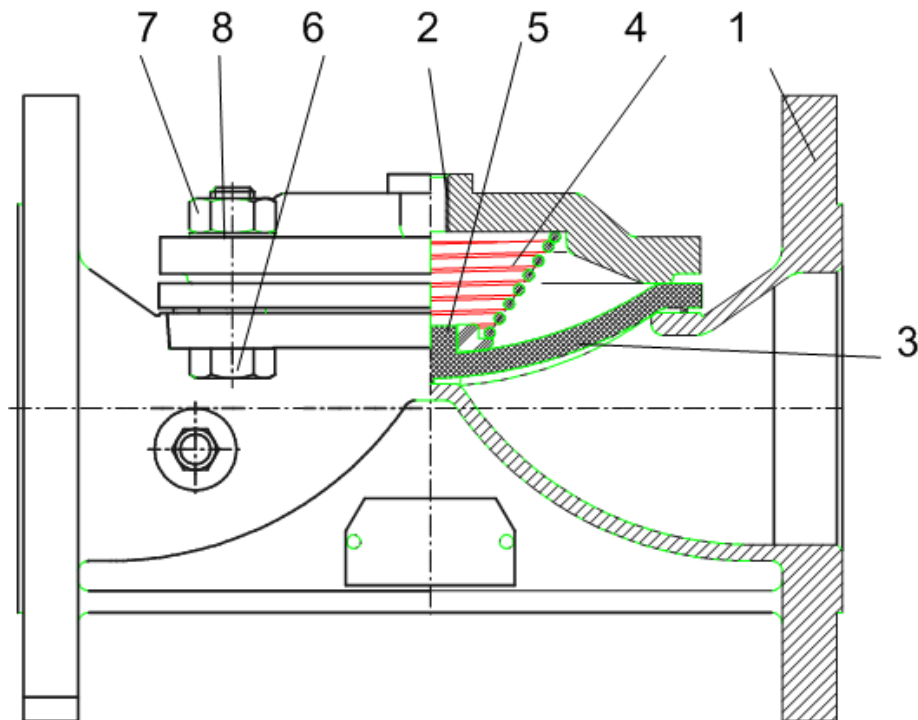
VALVE SIZE		Flow factor		Maximal Flow					
				Continuous		Intermitent		Momentary	
mm	inch	Kv	Cv	m³/hr	gpm	m³/hr	gpm	m³/hr	gpm
50	2	95	110	40	175	60	260	110	485
80	3	170	200	90	400	130	570	245	1080
100	4	220	260	160	705	230	1010	435	1920
150	6	600	700	350	1542	510	2243	955	4205
200	8	800	935	480	2115	700	3080	1310	5770
250	10	1250	1460	970	4300	1410	6250	2640	11730

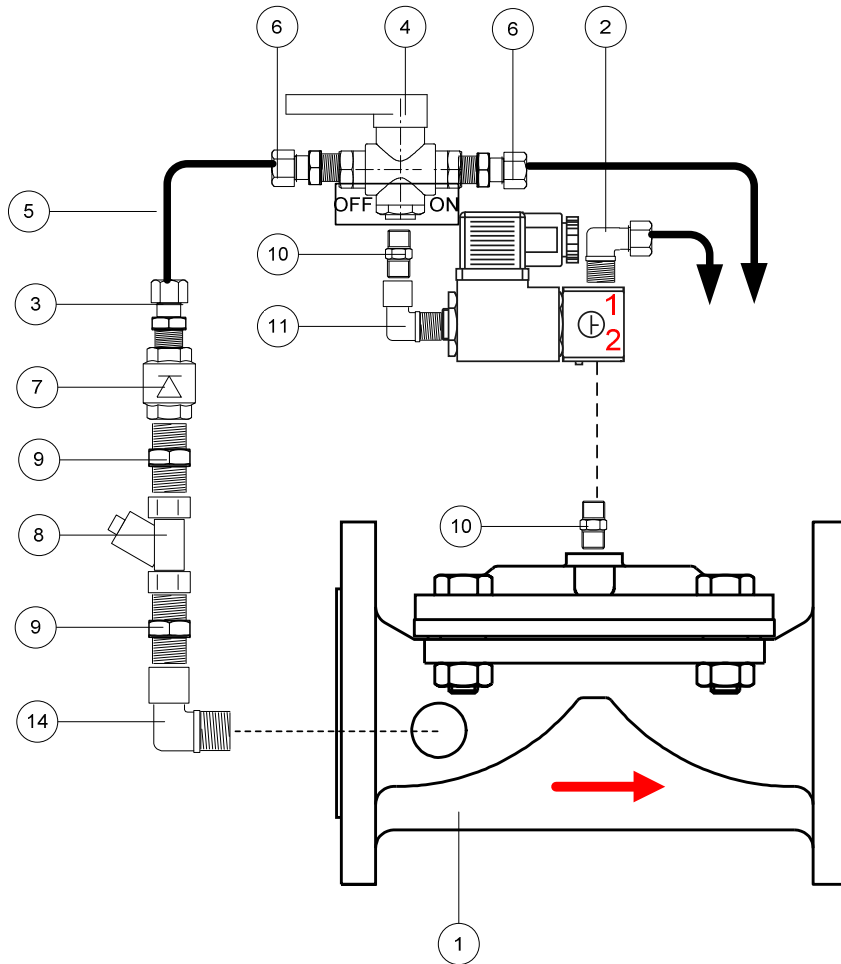
VALVE SIZE		L		H		R		W		Weight	
mm	inch	mm	inch	mm	inch	mm	inch	mm	inch	Kg	Lbs
50	2	200	7.87	166	6.54	85	3.35	166	6.54	7.7	17
80	3	285	11.22	200	7.87	105	4.13	200	7.87	18.2	40.1
100	4	305	12.01	230	9.06	110	4.33	230	9.06	24	53
150	6	390	15.35	314	12.36	145	5.71	300	11.81	49	108
200	8	460	18.11	400	15.75	170	6.69	365	14.37	86	190
250	10	535	21.06	445	17.52	205	8.07	440	17.32	125	276



Valve model 77

Component no.	Description	Material	Details
1	Coated body	Ductile iron (mod. 77)	
2	Coated bonnet	Ductile iron (mod. 77)	
3	Diaphragm	Reinforced NR	
4	Spring	SST 302	
5	Spring disk	Plastics	
6	Bolt	Coated steel	5/8"NFx2 1/2"
7	Nut	Coated steel	





No.	Description	Material	Qty.
12	solenoid 24 VDC N.O.	SST	1
11	1/8\"M-1/4F ANGEL Connector	SST	1
10	1/4\"M-M Connector	SST	1
9	1/2\"M-M Connector	SST	1
8	1/2\" Filter	SST	1
7	1/2\" Check valve	SST	1
6	3/8\"- 1/4\" connector	SST	2
5	3/8\" Control Tube	SST	1
4	1/4\" FFF Valve	SST	1
3	3/8\"- 1/2\" connector	SST	1
2	3/8\"- 1/4\" angle connector	SST	1
1	77-4- valve	D.I.	1