



Ultra-Wide Proportioner

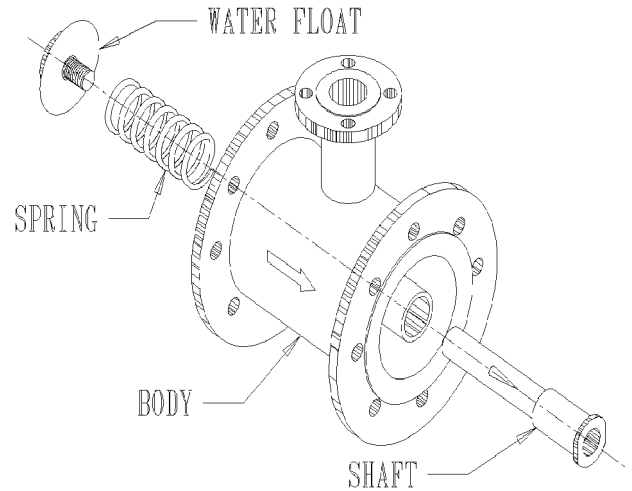
The Chemguard **ULTRA-WIDE** On-Demand Proportioner is designed to provide the correct amount of foam concentrate to mix with a water stream over a wide range of flows. This device is completely mechanical, requiring no electrical connections, and requires no scheduled maintenance once installed and tested for proper operation.

SPECIFICATIONS

Chemguard's **ULTRA-WIDE** proportioner is assembled in a bronze casting having a 6-inch ASA Class 150 flanged water inlet and solution outlet, and a 2-inch ASA Class 150 flanged concentrate inlet. The proportioner has an internal water float operating against a spring inside a tapered throat. The water float is attached to a hollow shaft with a slotted orifice that is connected to the concentrate inlet. As water flow increases, the water float is depressed, exposing a portion of the slotted orifice, thereby allowing concentrate to be injected into the water stream in correct proportion to the water flow. Water pressure at the point of injection is slightly lower than concentrate pressure due to the flow of water around the water float. The water float movement is proportional to the flow of water through the device, resulting in accurate proportioning of foam concentrate with water over a wide range of flows.

FEATURES

- Proportioning accuracy from 20 to 2,500 GPM (76 to 9,464 LPM)
- No special pressure restricting devices are needed for system operation over a wide range of flows and pressures
- **UL Listed**
- **FM Approved**



OPERATION

The Chemguard **ULTRA-WIDE** Proportioner is designed for operation in systems of the Balanced-Pressure type, where both the water and concentrate pressures at the proportioner are equal. These systems are generally described as one of the following:

- Bladder Tank – Where a pressure vessel containing a bladder is pressurized by the water stream, thereby pressurizing concentrate within the bladder to a pressure equal to that of the water.
- Balanced Pressure Proportioning Skid – Utilizing an electric, diesel, or water powered concentrate pump and a pressure balancing valve to supply concentrate at a pressure equal to that of the water.
- In Line Balanced Pressure (ILBP) System - Utilizing an electric, diesel, or water powered concentrate pump to supply concentrate at a pressure higher than water pressure to a balancing valve that lowers concentrate pressure to equal that of the water.

CHEMGuard
 204 S. 6th Ave • Mansfield, Tx 76063 • (817) 473-9964 • FAX (817) 473-0606
www.chemguard.com

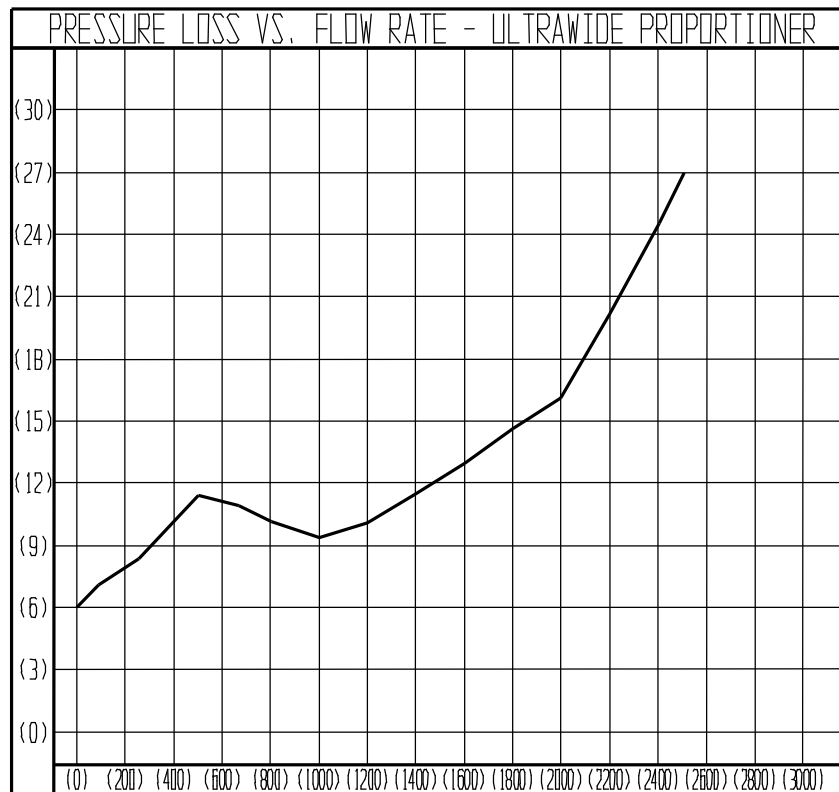
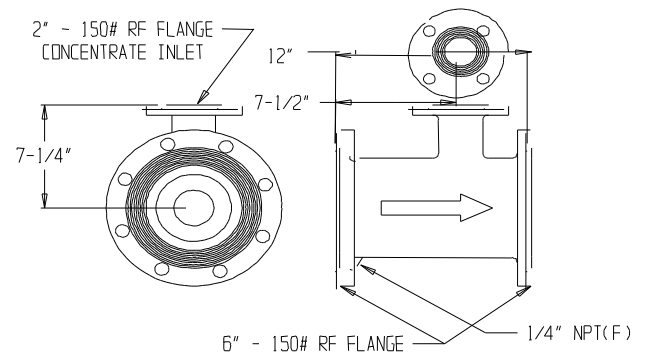
ORDERING INFORMATION

The ULTRA-WIDE Proportioner is not available as a stand-alone item, and must be ordered as part of a complete proportioning system. Chemguard provides a variety of discharge devices suitable for use with the demand proportioner, such as sprinkler heads, foam chambers, and foam makers, monitors and nozzles.

Part No.	Foam Concentrate
Z02-021-013*	3% AR-AFFF
Z02-021-011*	3% AFFF
Z02-021-021	1% AFFF
Z02-021-022	2% High Expansion
Z02-021-023	6% AR-AFFF
Z02-021-012	6% AFFF

***UL/FM Approved**

SPECIAL INSTALLATION NOTE: A minimum of five (5) pipe diameters should be allowed at the inlet and outlet of the proportioner.



CHEMGUARD
 204 S. 6th Ave • Mansfield, Tx 76063 • (817) 473-9964 • FAX (817) 473-0606
www.chemguard.com